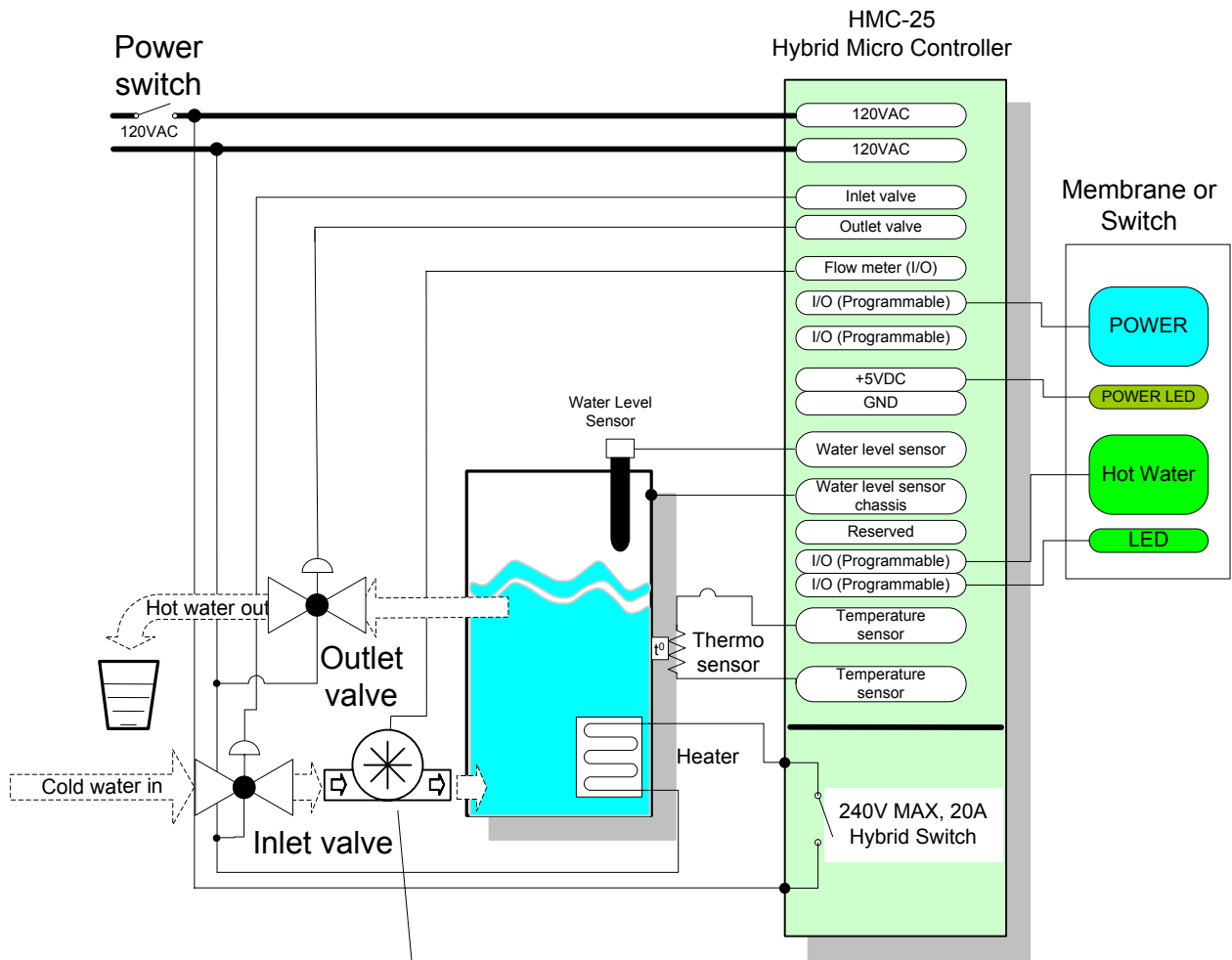


HMC Application Example 2: Precision water boiler with portion control

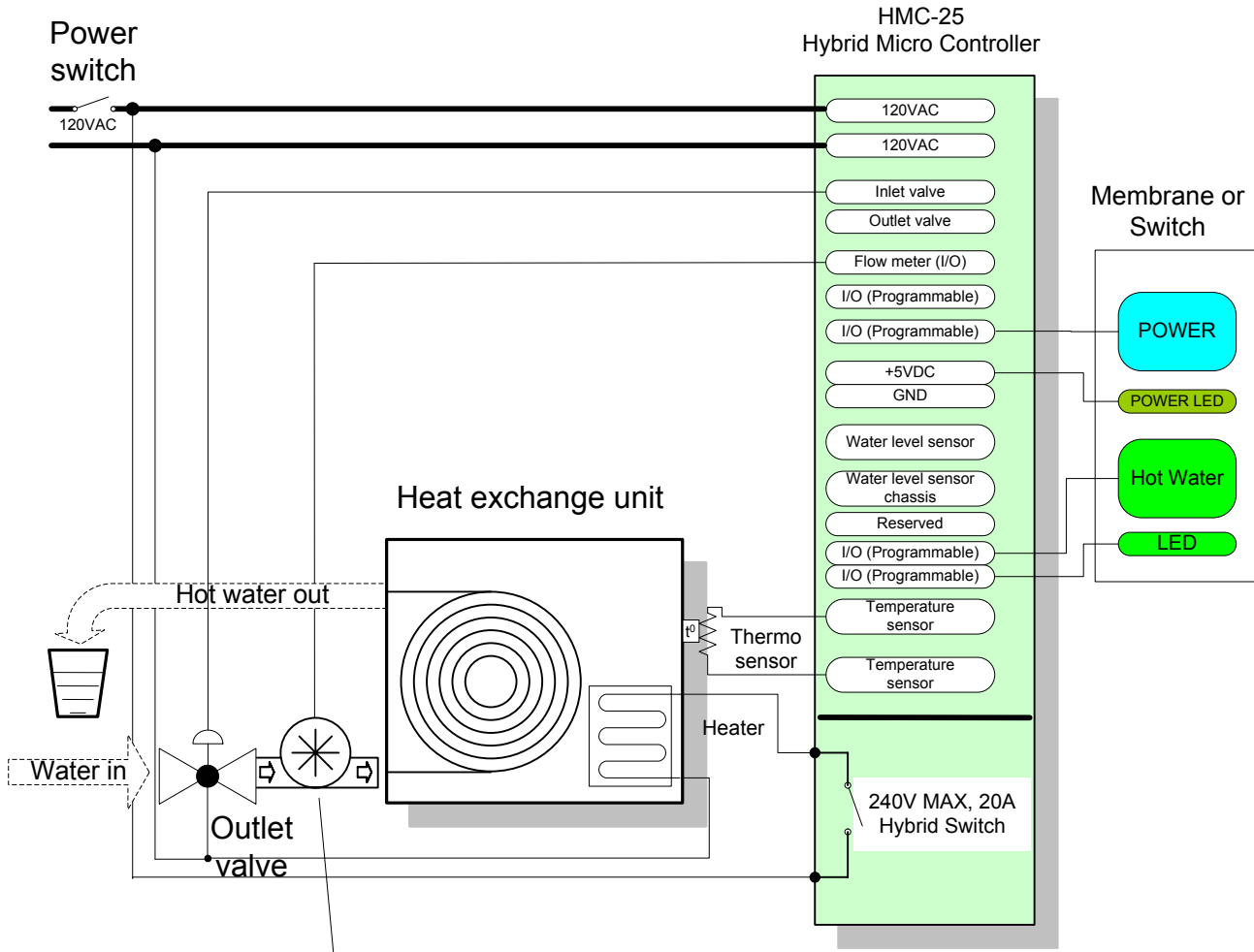


Renau Flow Meter
R3000



Renau HMC-25

HMC Application Example 3: Hot water dispenser with R3000 flow meter and heat exchange unit



Renau Flow Meter
R3000



Renau HMC-25