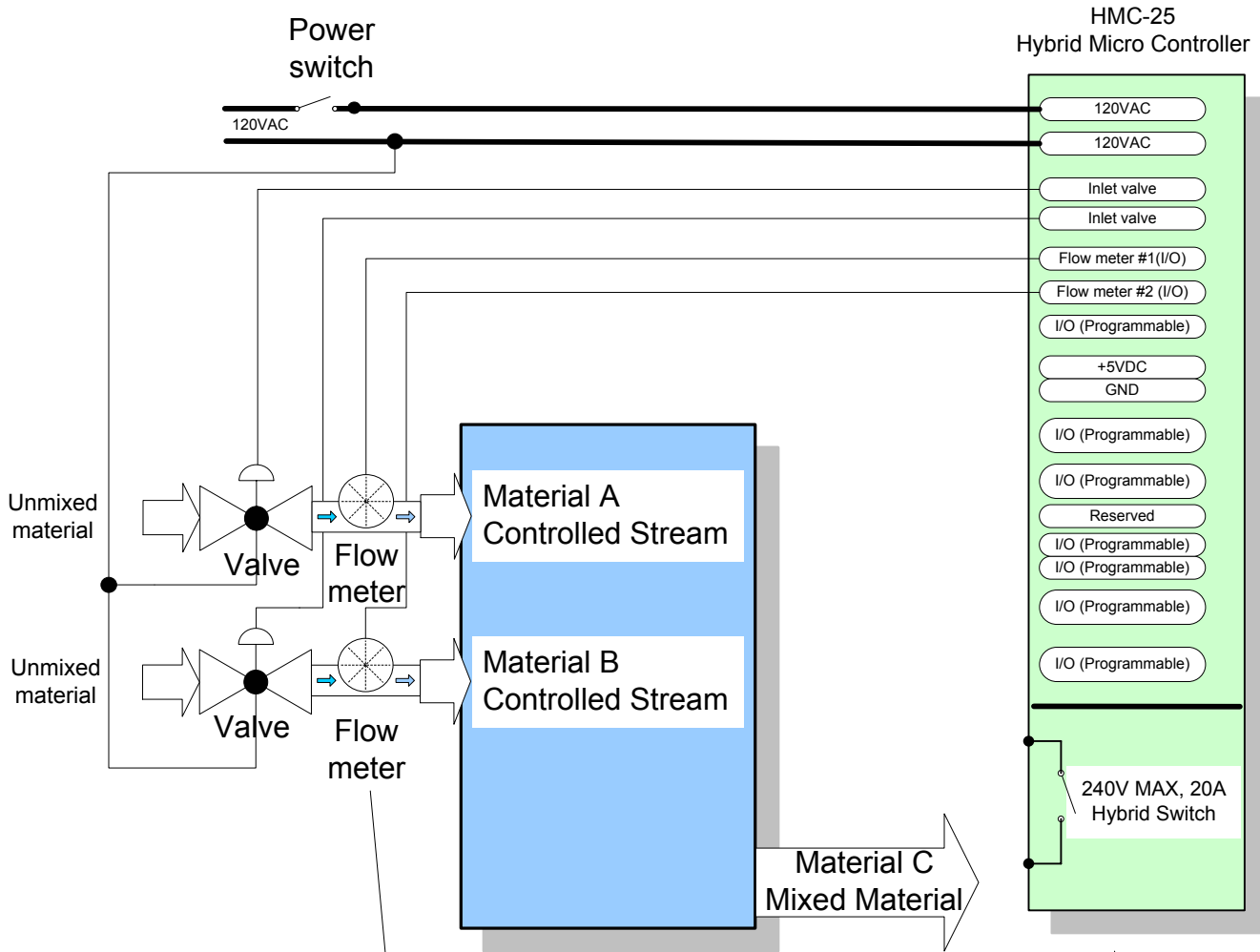


HMC Application Example 9: Liquid ratio control

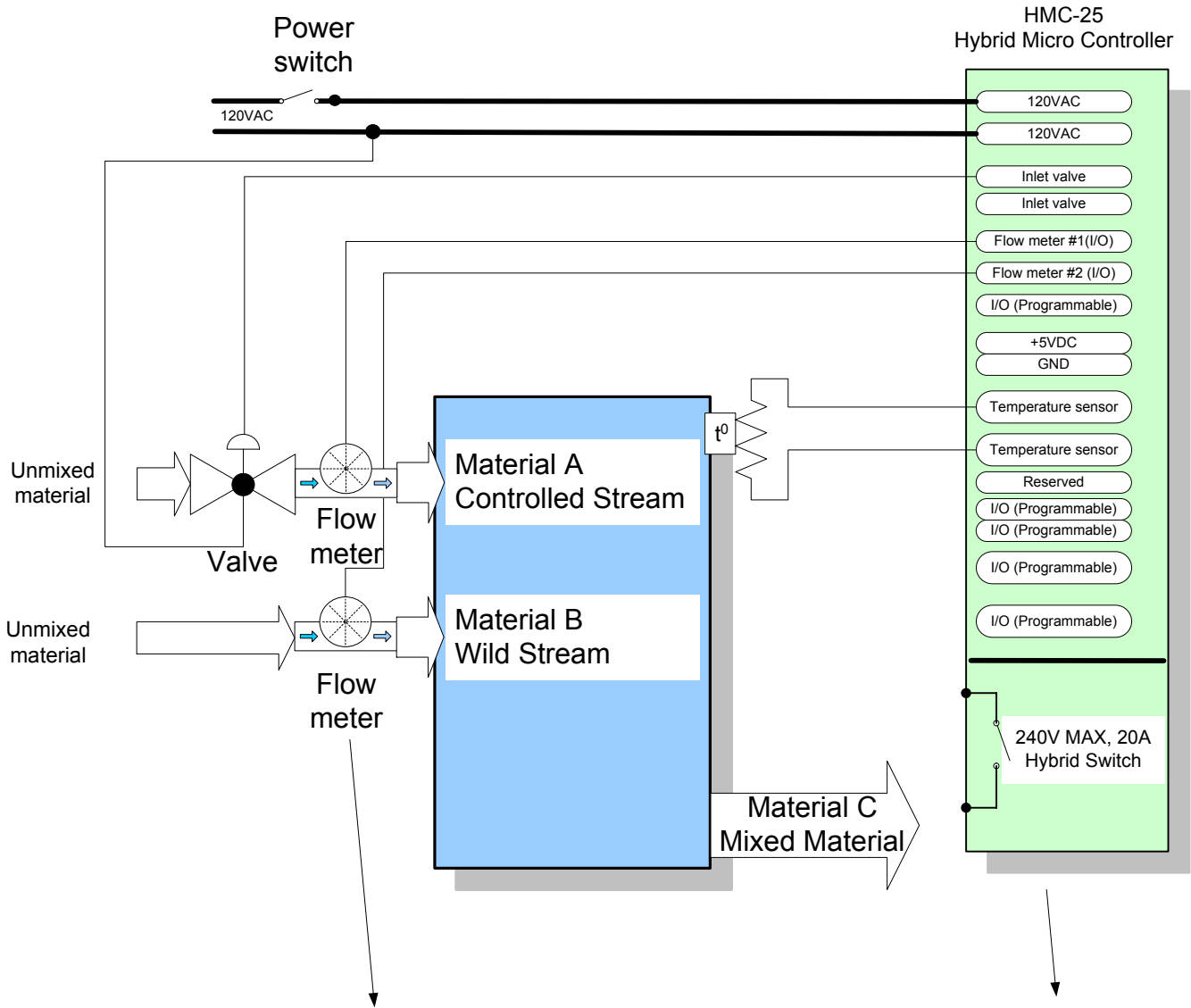


Renau Flow Meter
R3000



Renau HMC-25

HMC Application Example 10: Another ratio control

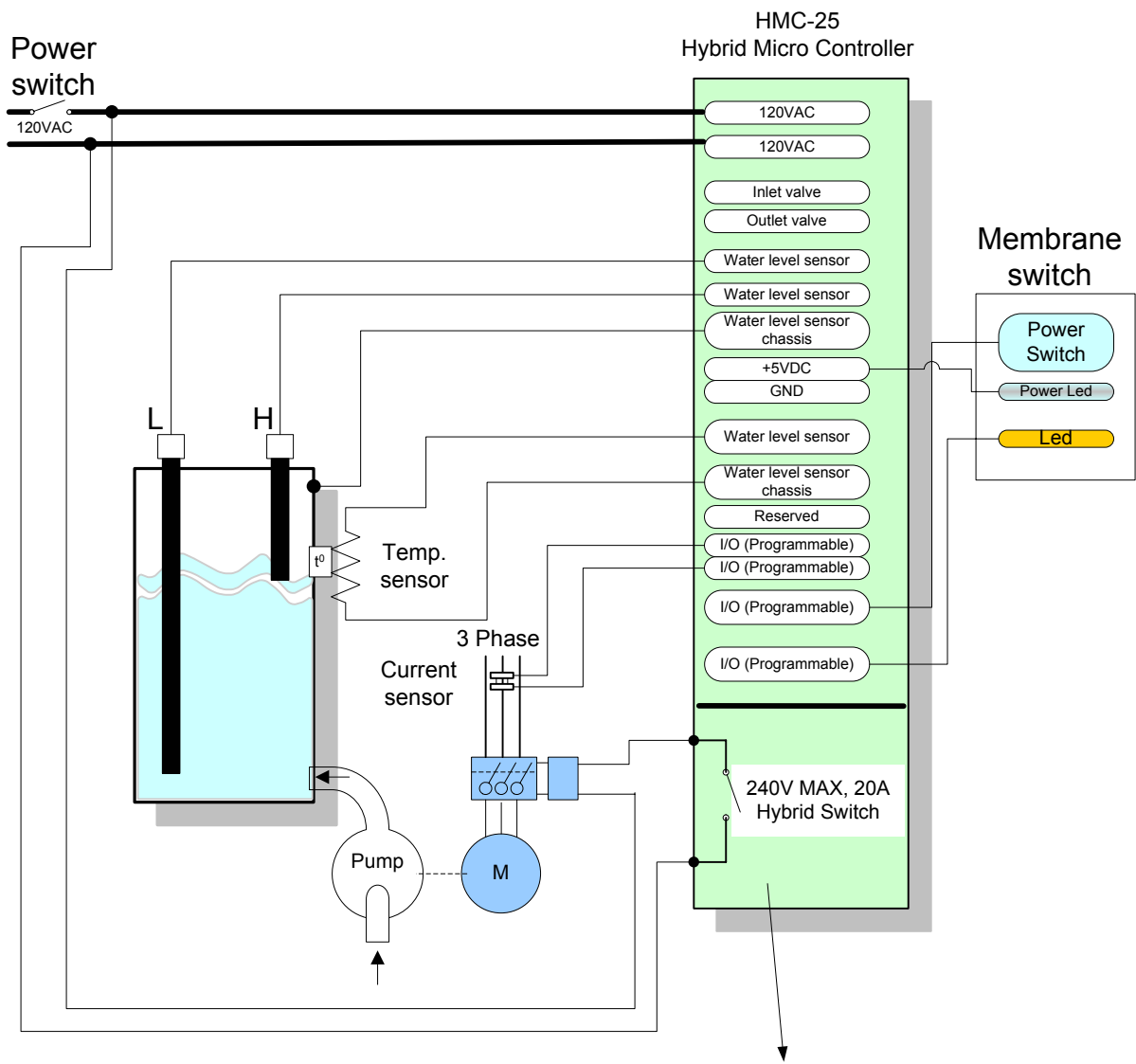


Renau Flow Meter
R3000



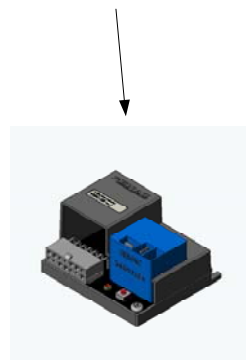
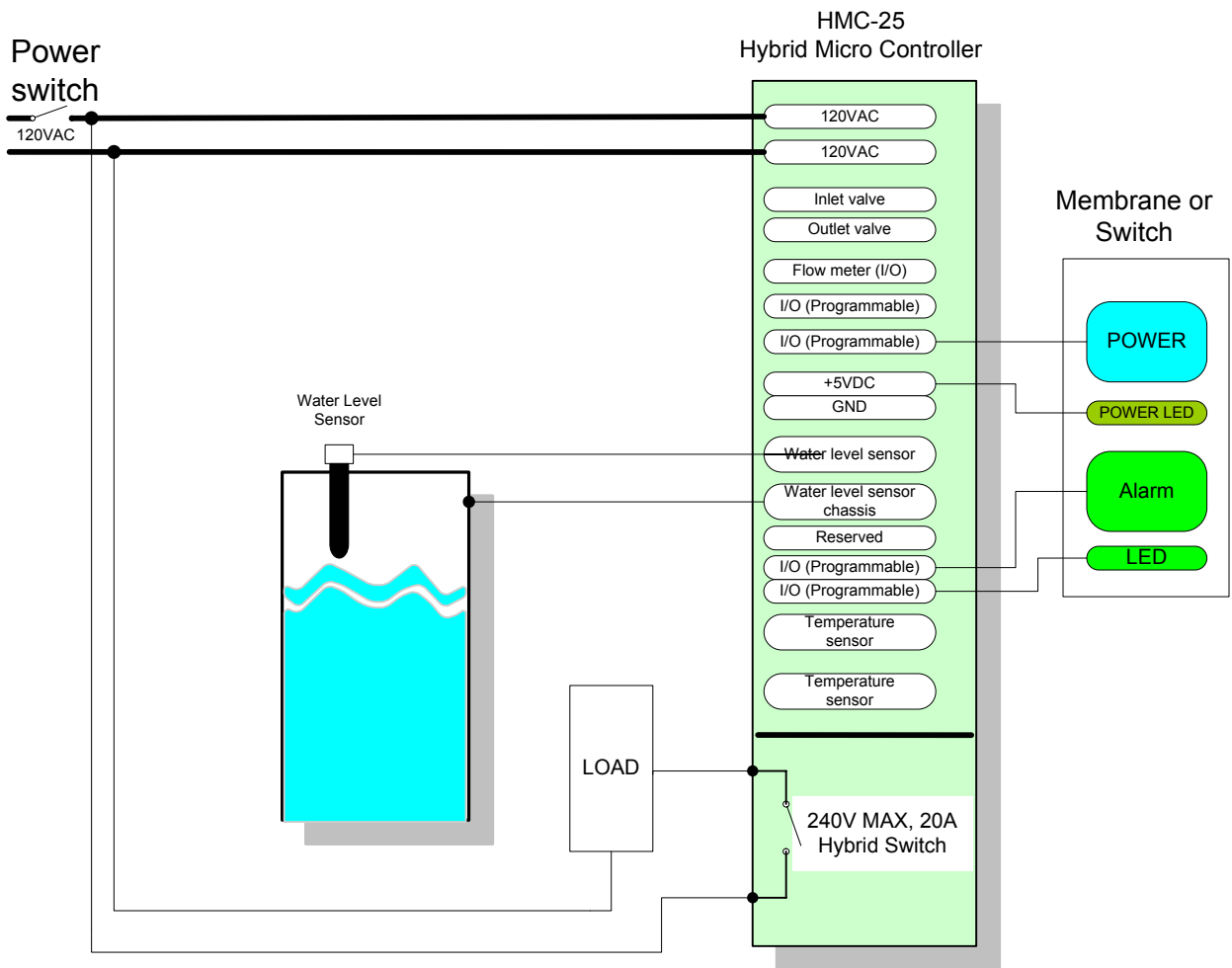
Renau HMC-25

HMC Application Example 11: Liquid Level Control



Renau HMC-25

HMC Application Example 12: Simple Liquid Level Control



Renau HMC-25