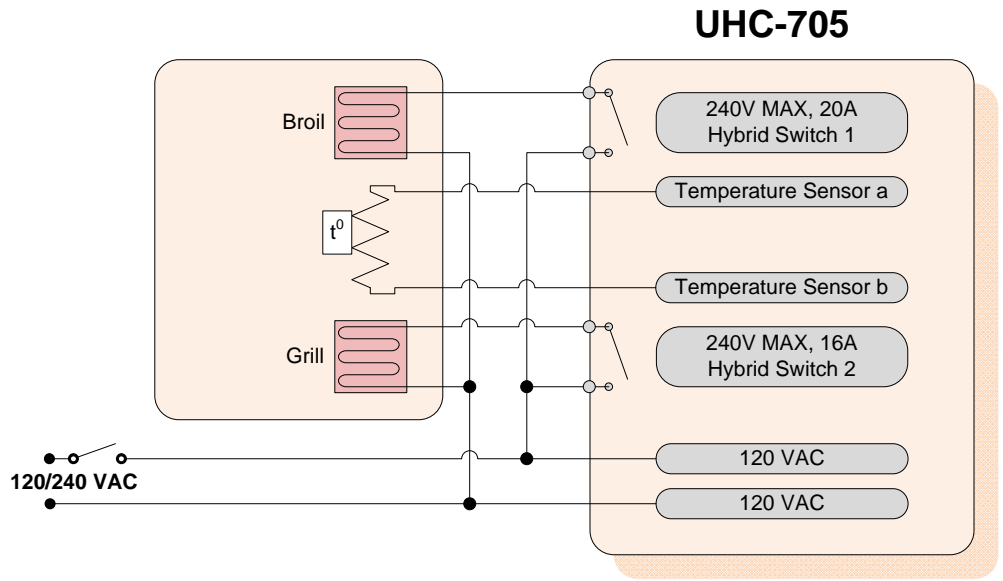




UHC-705



A small oven can easily and quickly be implemented using the **UHC-705** hybrid controller.

Grilling and broiling heaters are independently controlled using separate **UHC-705** on board hybrid switches.

Temperature is regulated using a temperature probe as feedback.

The **UHC-705** also is the user interface; able to display various timers and both the measured and set point temperature.

The ability of creating and storing recipes makes the **UHC-705** easy to use. 5 quick recipe buttons are available to have easy access to the most commonly used recipes.