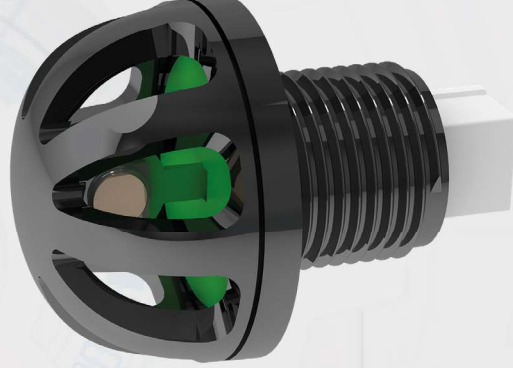


SHS-100



SHS-100 PROOFING OVEN

Renau's SHS-100 is a compact and durable sensor which accurately measures humidity and temperature in an enclosed environment. In this example, we will demonstrate how the SHS-100 can be integrated into a proofing oven.

This system utilizes a UCM-2468 6.8" touchscreen display to provide status information and processing power, an SPM-202 for power modulation, an SRLM-02 for water level measurement, an SB-100 as a buzzer alarm, a UHA-Extender for a flash drive or WiFi dongle, and the SHS-100 for measuring humidity and temperature.

UCM-2468: The 6.8" display controls various processes dependent on measurements from the SHS-100 and displays the available recipes along with the units status. Alerts are user programmable to trigger once a specific threshold has been met. These may include conditions such as "humidity too high," which can then be used to diagnose potential fan failure.

SPM-202: Provides switching power for the heaters and the blower motor.

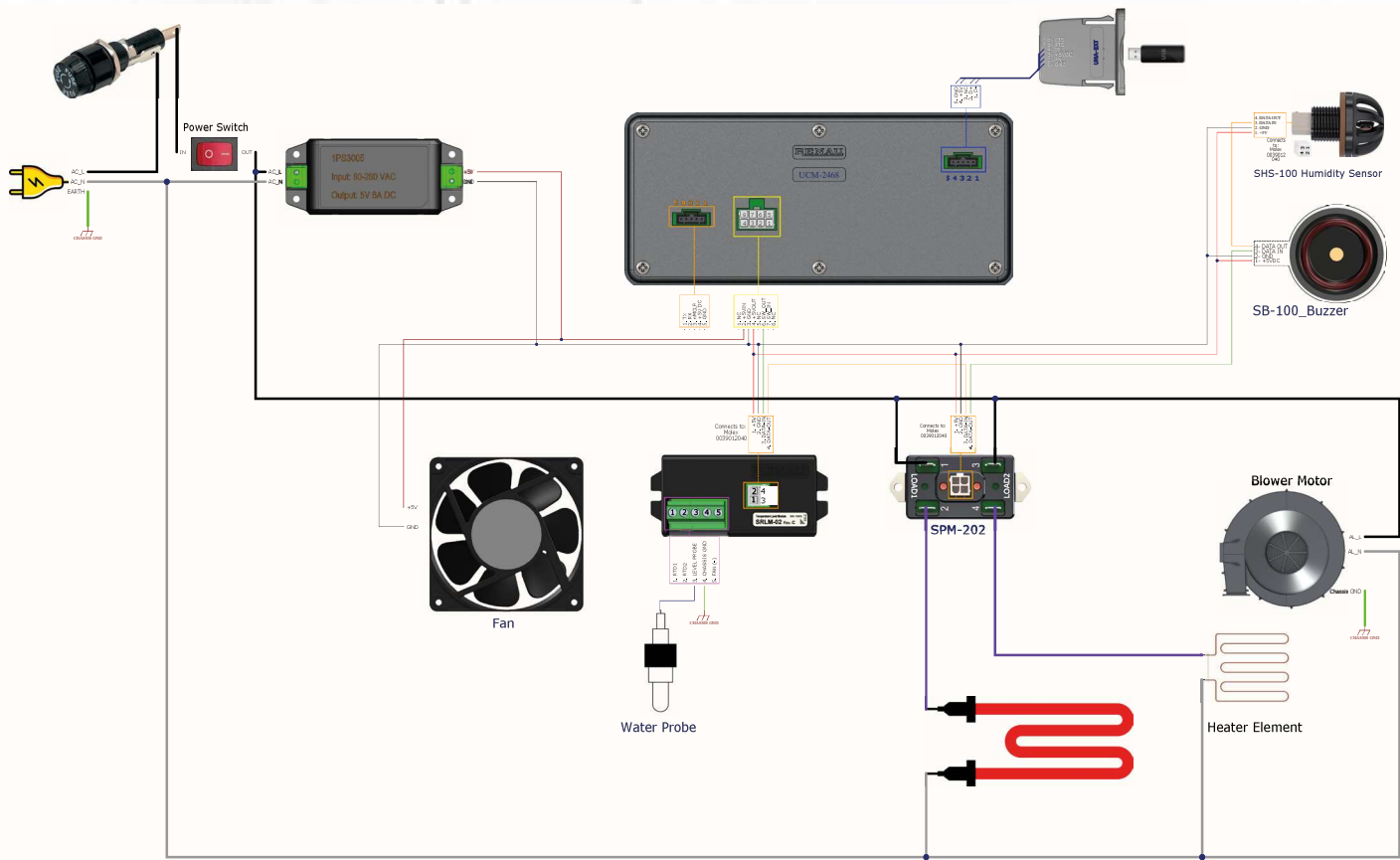
SRLM-02: Measures the water level used to provide humidity.

SB-100: Provides an audible buzzer whenever an alarm is triggered.

UHA-Extender: Used for firmware and recipe changes via either flash drive, or wirelessly with a WiFi dongle. Use of a WiFi dongle also allows the user to remotely control the unit, receive alarms remotely via email or text, as well as HACCP reporting and data collection.

SHS-100: Measures the humidity and temperature of the oven and sends the information to the UCM-2468 to act accordingly.

With the SHS-100 humidity and temperature sensor you can rest assured that your proofing oven will continue to produce safe and consistent results that will surely stand out to your customers.



We do more than design. We invent.