

# CFCM-240



## COOLER/ FREEZER CONTROL & MONITOR

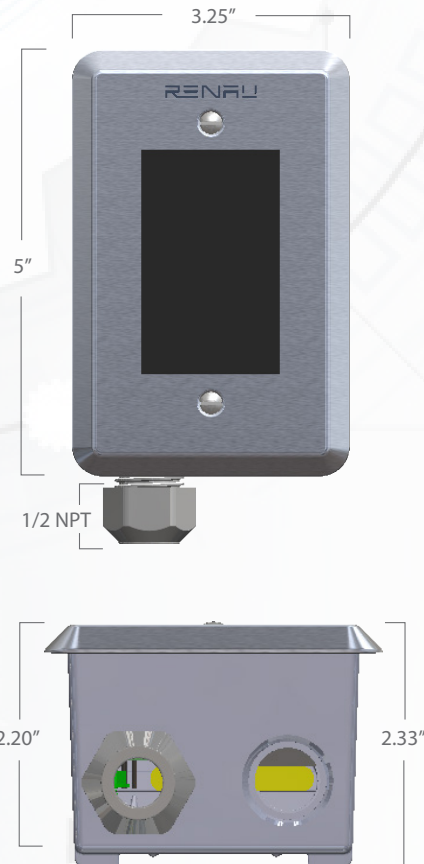
### Features:

- Monitor up to two temperature zones
- Included door switch, light and door heater output
- Optional panic button and motion sensor input
- Battery backup
- User Programmable Alarms: High/Low temperature conditions, probe failure, and door alarm.
- Compatible with all Renau Single Wire Modules
- Renau Cloud Compatible with UHA-Ext.

### Applications:

Temperature monitoring for:

- Walk-in refrigerators
- Walk-in freezers



### Dimensions:

- 4.5" L x 2.75" W x 2.175" D

### Electrical:

- AC 120-230VAC

### Operating Temperature:

- 0°-70°C (32°-158° F)

### Warranty:

- Every Renau product is thoroughly tested at numerous stages of production and comes with an extended three (3) year warranty.



We do more than design. We invent.